

**Specifications**

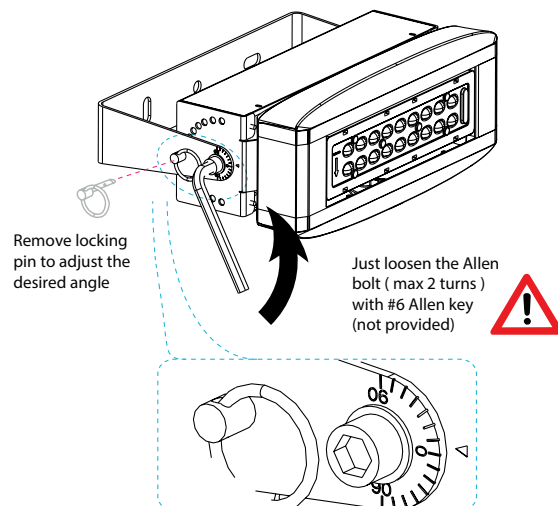
All models	
Supply Voltage	230-240V a.c. 50Hz
Power Factor	> 0.95
Colour Temperature	4000K
IP Rating	IP66

**Before Installation:**

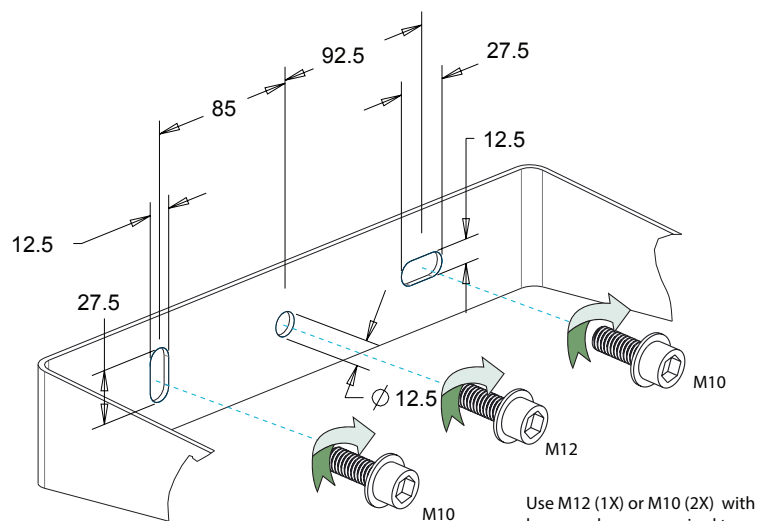
- Inspect the luminaire for any potential defects prior the installation. Do not install the luminaire if any defects are noticed and contact Legrand for rectification.
- Do NOT pull or carry the product by the incoming power cable.
- Ensure mounting surface can withstand 3 times the weight of the luminaire

**Installation:**

1. Use a #6 Allen key (not supplied) to loosen the bolts (max 2 turns) on the side of the luminaire that hold the mounting bracket (do not remove the bracket), then remove the bracket locking pin.



2. Mount the floodlight to the surface using one of the mounting options below:

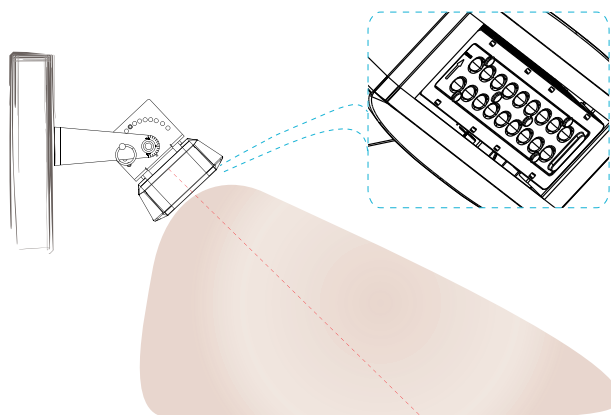


Use M12 (1X) or M10 (2X) with large washers as required to secure to the Mounting surface.

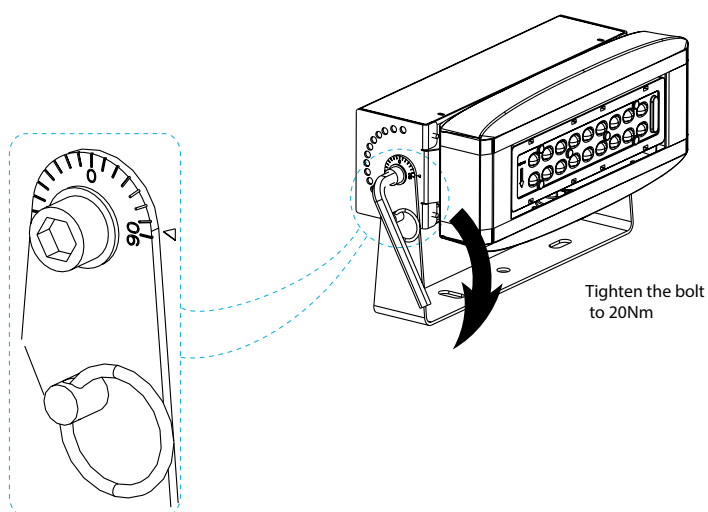


Mounting surface should be structurally strong to hold the Flood light weight

3. Aim the floodlight to the desired position. Note: The floodlight is marked with an arrow on the LED Lens to indicate the direction of the asymmetric light distribution.



4. Tighten the bolts to fix the mounting bracket in position and secure with the bracket locking pin.



5. Insert power cable into a weatherproof box and terminate to the mains connection

6. Energise the luminaire to determine if final aiming is required.

**Disclaimer:**

This product must be installed and used as per these instructions.

- This product must be installed by a licensed electrician.
- This product has been designed to minimize the effects of interference from peak electricity signals. Interference in the form of light flicker is still possible in some cases depending on proximity to the signal injection point.
- This product is has been designed with short circuit features. Very high short circuit currents may still damage the product.
- Electrical installations periodically receive transient over voltages. This product has been designed to minimize the effect of such voltage on connected equipment. It may not give full protection for extreme over voltage transient such as those resulting from a close lighting strike. The luminaire is fitted with a 10 KV surge protection device.
- Legrand reserves the right to modify the specifications of this product at any time.
- This product should only be cleaned with a damp cloth. Cleaning agents and solvents should not be used.
- This product must be cleaned periodically from dust and other contaminants.
- This product has no user serviceable part and no attempt should be made to repair this product. If damaged the product should be disposed of. When the light source reached end of life the luminaire must be replaced.
- Severe electromagnetic interference from the other products may cause malfunction of this product.
- This product is not suitable for installation in hazardous and/or corrosive areas.
- The material in this product may vary slightly in colour from batch to batch. Colour matching from one batch to another cannot be guaranteed.
- This product is not suitable for installation in hazardous and/or corrosive areas.
- The material in this product may vary slightly in colour from batch to batch. Colour matching from one batch to another cannot be guaranteed.
- Extended exposure to UV rays (such as exposed to direct sunlight) may cause discoloration of this product.
- This product has been designed to operate in ambient temperatures 0 degrees Celsius to 40 degree Celsius.
- This product has been designed to operate on a nominal supply voltage of 230-6% to 240Va.c+6%.
- Please be aware that LED light sources degrade over the time. We recommend the fitting is replaced every 7 years.
- Lamp life is an average figure only and may be reduced by frequent switching.
- This product utilises intellectual property in the form of registered designs, trademarks, and/or patents. Such intellectual property remains the property of Legrand in all cases.

**Warranty**

Legrand Australia Pty Ltd guarantees this lighting unit for a period of 5 years from date of despatch, solely against failure arising from faulty materials or workmanship, and provided that the unit has been stored, shipped, installed, used and maintained in accordance with the manufacturers instructions and relevant standards. Misuse, installations exceeding Ta 40°C for no more than 14 hours per day, negligence or modification of the unit voids all warranties. Consult Legrand Australia Pty Ltd Conditions of Sale for details on warranty liability. If this lighting unit is faulty, return the unit freight pre-paid to your point of purchase, or contact Legrand Australia Pty Ltd on 1300 369 777.

**Customer Service**

For all Customer Service and Technical Support enquires please call Monday to Friday during business hours.

Legrand Australia  
1300 369 777  
[www.legrand.com.au](http://www.legrand.com.au)

Legrand New Zealand  
0800 476 009  
[www.legrand.co.nz](http://www.legrand.co.nz)

ABN: 31 000 102 661